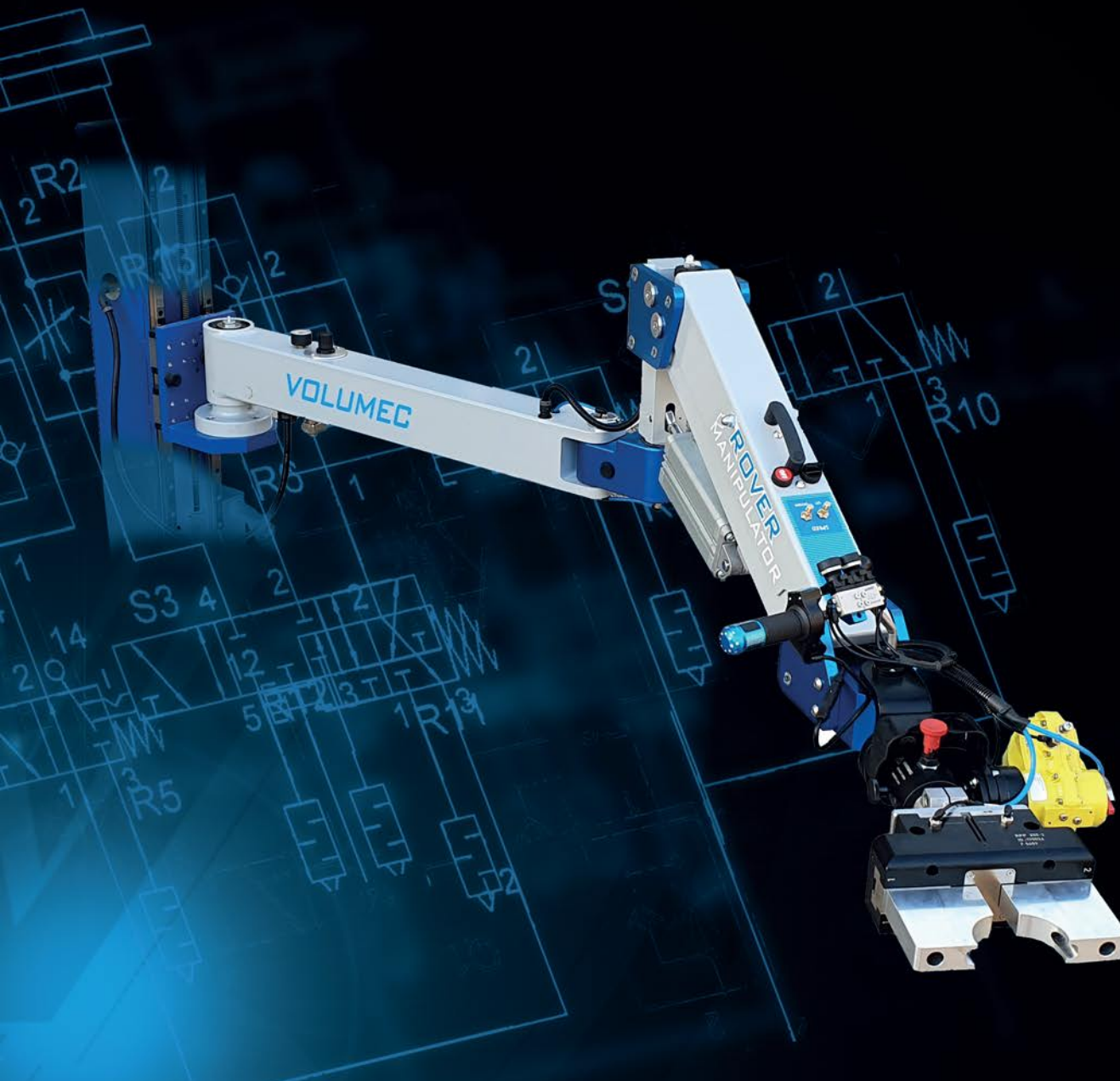


VOLUMEEC[®]
mechanical innovations



MANIPULATORS

MOBILE HANDLING STATIONS

WWW.VOLUME.IT

PREVENT THE PROBLEM WITH

MOST COMMON
TYPE OF INJURIES



CUTS AND
WOUNDS



SPRAINS AND
STRAINS



FRACTURES

MOST COMMON
CAUSES OF INJURIES



OVERWEARINESS



REPETITIVE
ACTIONS



BUMP, CUT OR
CAUGHT BY EQUIPMENT

ERGONOMIC APPLICATIONS



ELIMINATE THE
MOST COMMON
CAUSES OF WORKER
INJURIES



WORKER CAN BE
MORE PRODUCTIVE
WITH LESS STRAIN



THE WEIGHT LOAD
IS TAKEN OFF THE
WORKER

WORKER
SAFETY



MAINTAINING
SAFETY DISTANCES
FOR WORKERS LIMBS



CARRY THE TOOL
IN TIGHT SPACES
WHILE KEEPING
WORKERS SAFE



CUTS THE LARGE
COSTS OF WORKER
INJURIES

SHOULDERS

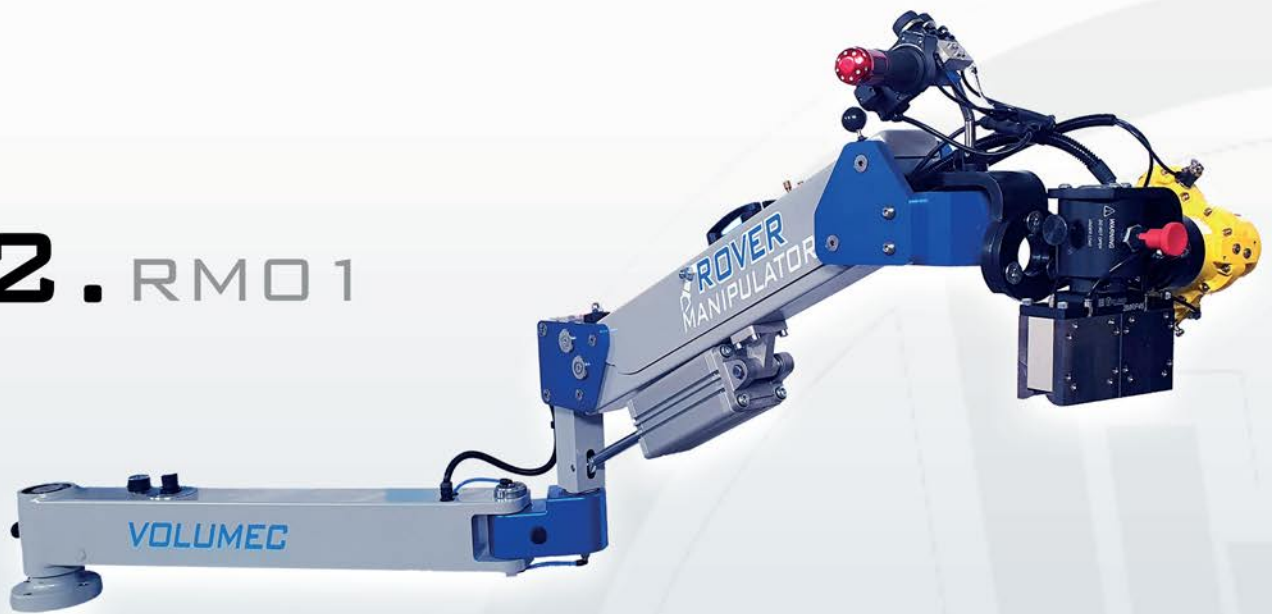
BACK

HANDS

KNEES

ANKLES

2. RMO1



6. RMO2



10. EAM02

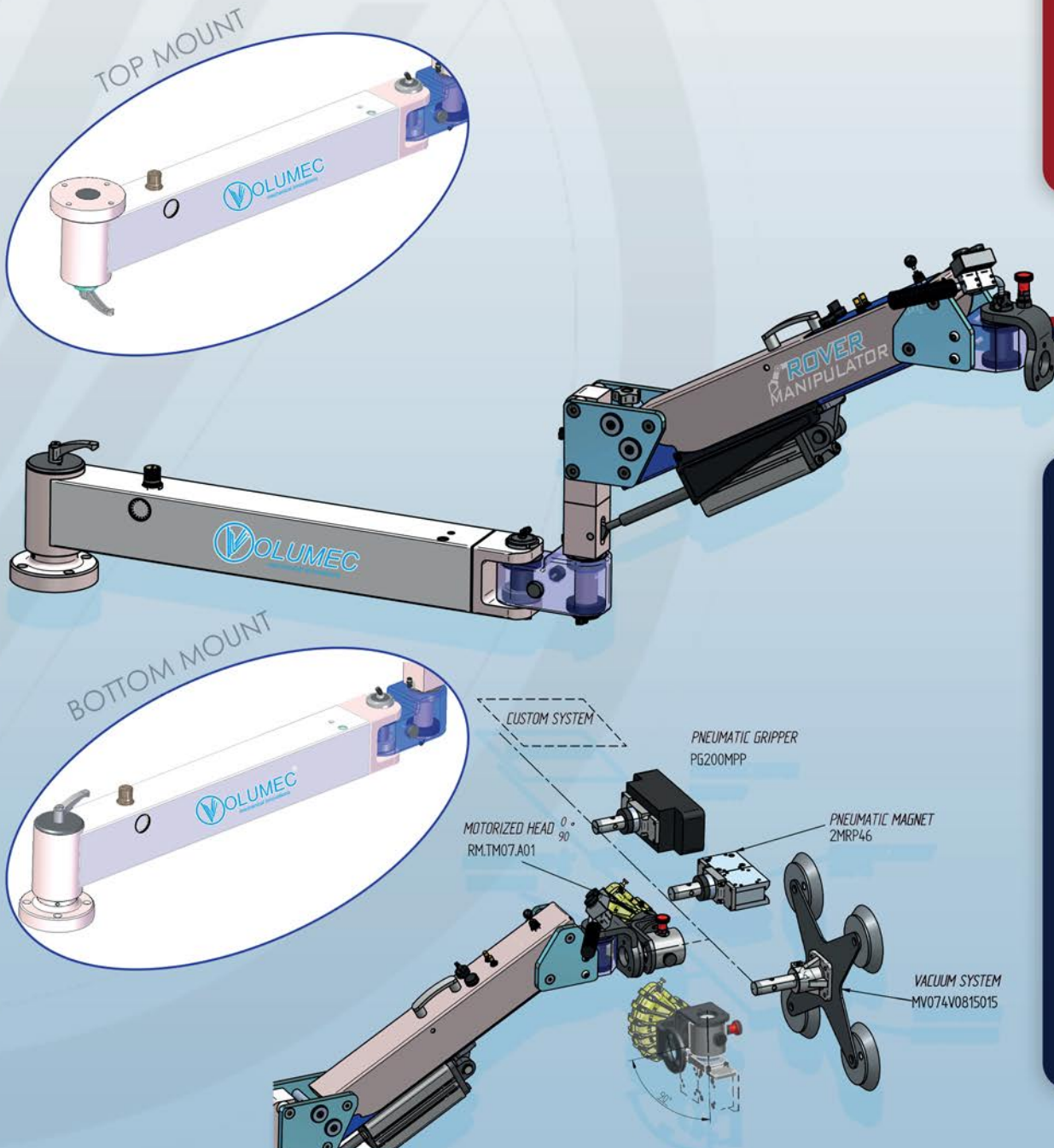


RM01

ROVER RM01 MANIPULATORS allows you to lift, move and rotate your parts weighing from 1 to 100 kg with ease thanks to an ergonomic and easy to use system.

The gripping systems are interchangeable according to the type of parts to be handled and with the motorized heads it is also possible to perform rotations on one or more axes.

With the **CSM001** and **CSM002** bases, the Rover becomes a mobile manipulation station that can be quickly placed in different workstations.



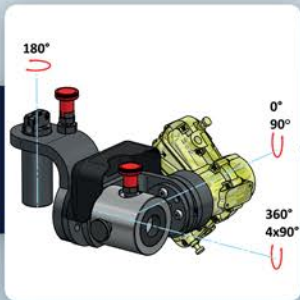
SRH



MRH



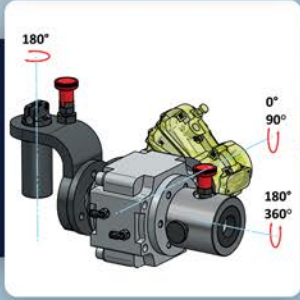
RM.TM07



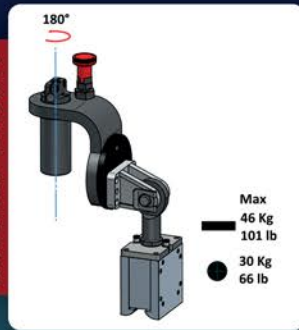
RM.TM180



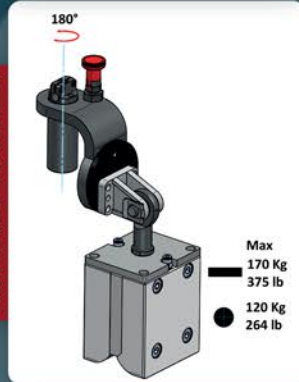
RM.TM07-180



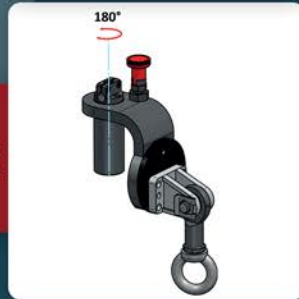
MAGNET TRVM46



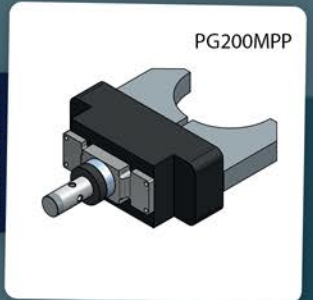
MAGNET TRVM70



SG



GRIPPER 1



GRIPPER 2



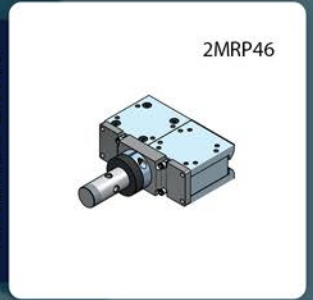
VACUUM 2



VACUUM 4



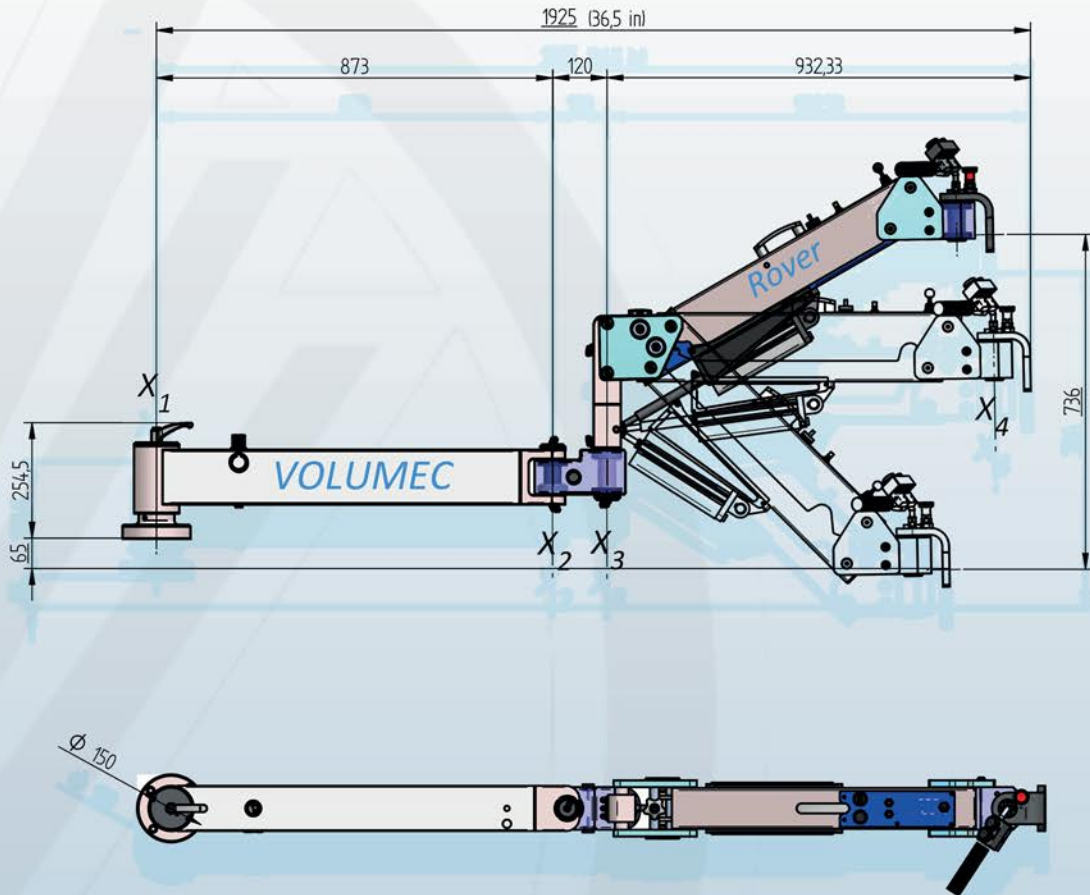
MAGNET 2M46



CUSTOM

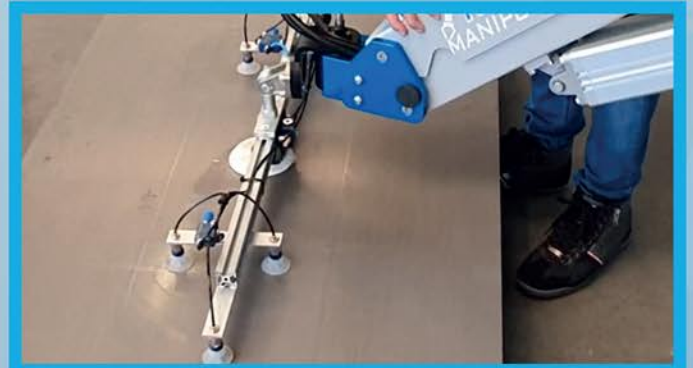
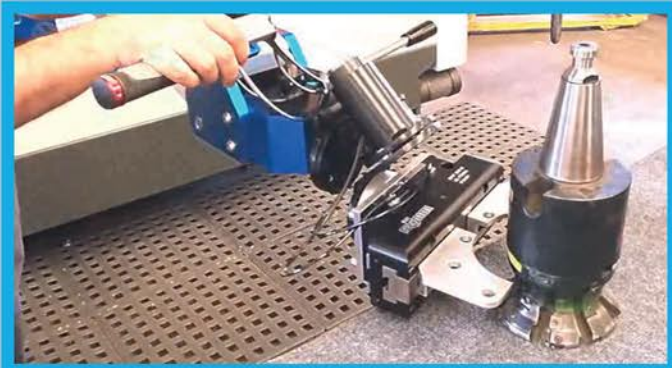
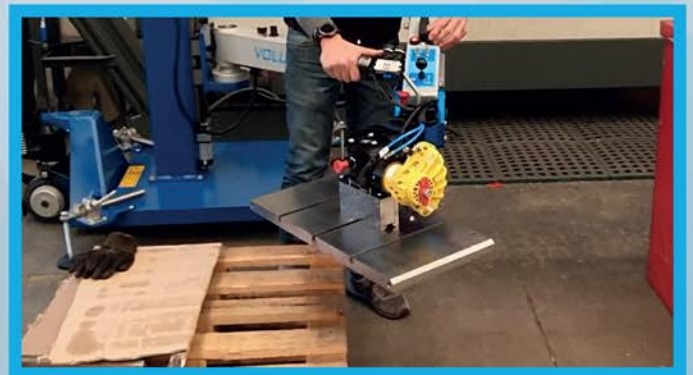
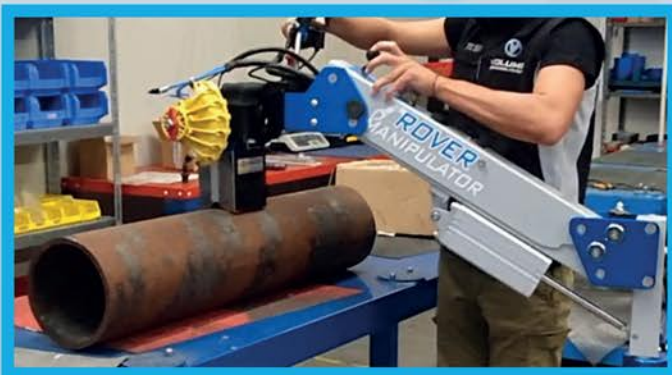
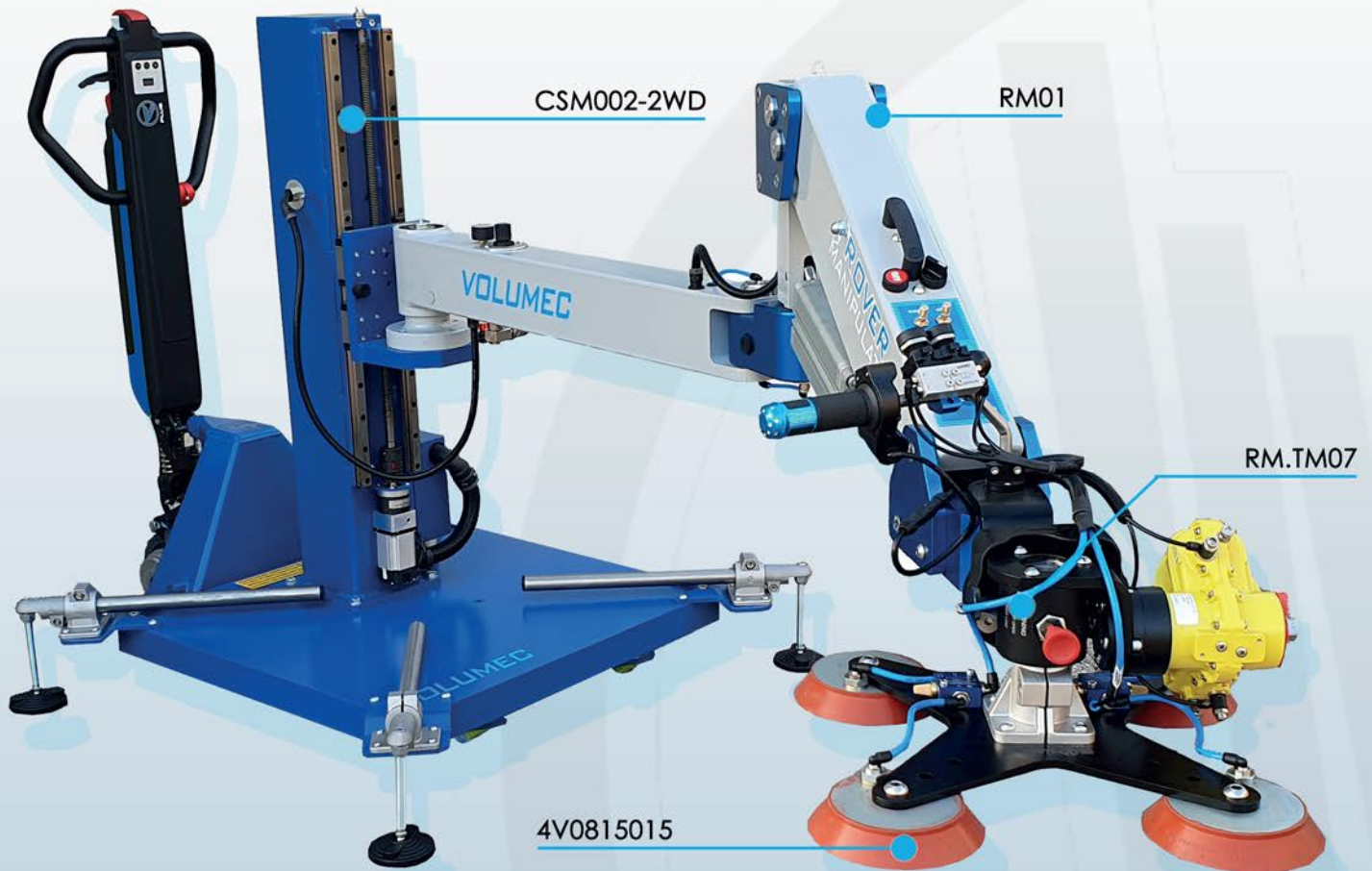


WORKING AREA



TECHNICAL DATA

LIFTING	From 1 to 100 Kg (2,2 - 220 lb)
WORKRAY	1925mm (75,8 in) + Head
VERTICAL STROKE	736 mm (29 in)
GRIPPING SYSTEMS	Pneumatic Magnet, Vacuum or Pneumatic Gripper
WEIGHT	60 Kg (130 lb)
PRESSURE	6-8 bar
SPEED	Outward and return
OPERATING TEMPERATURE	10°-45° C
ROTATION	X1=360° / X2=180° / X3=180° / X4 =180°



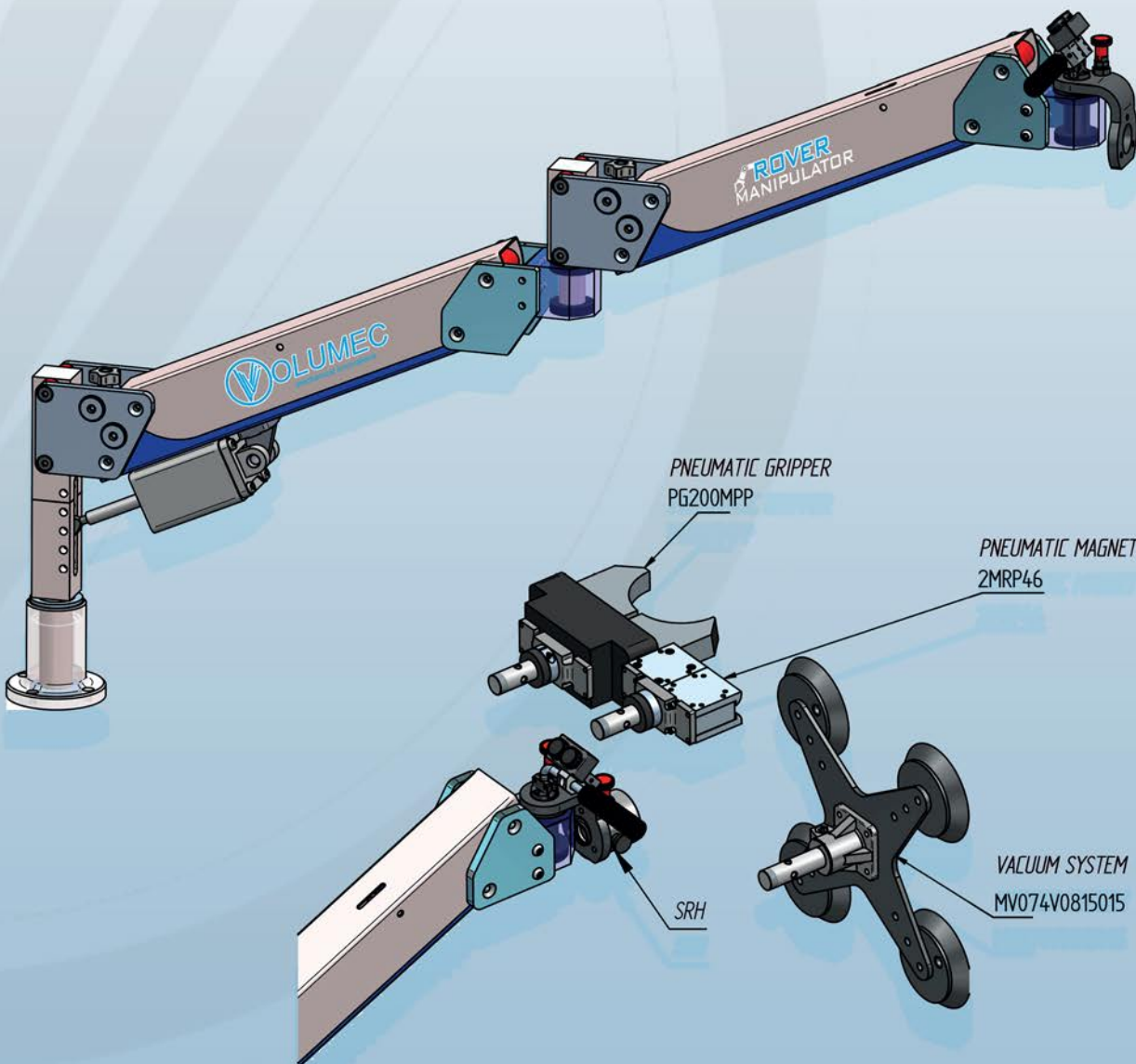
RM02

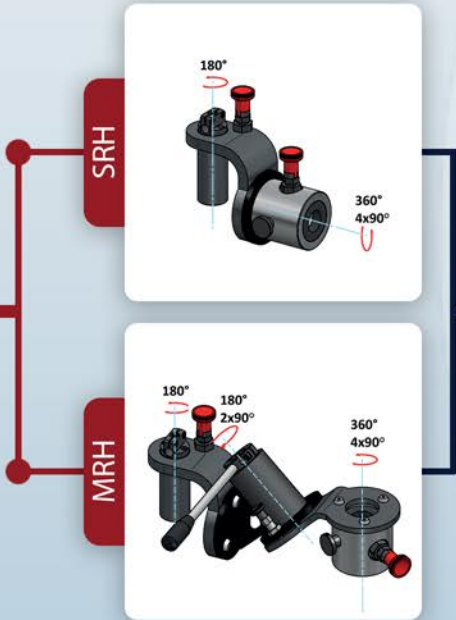
The **ROVER RM02 MANIPULATORS** allows you to easily lift and move your pieces weighing from 1 to 50 kg (110 lb) thanks to an ergonomic and easy-to-use system.

The first arm can be adjusted in height before carrying out the manipulation and then allows to use the entire vertical lifting stroke.

The gripping systems are interchangeable according to the type of pieces to be handled.

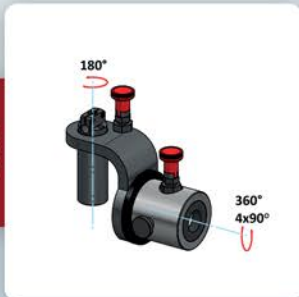
With the **CSM001** and **CSM002** bases, the Rover becomes a mobile handling station that can be quickly placed in different workstations



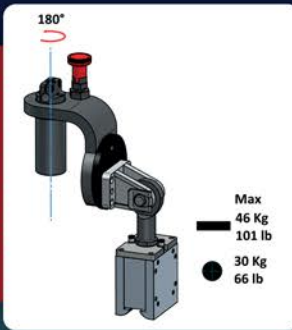


SRH

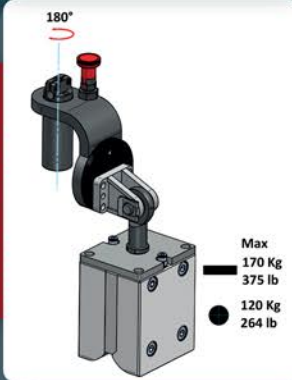
MRH



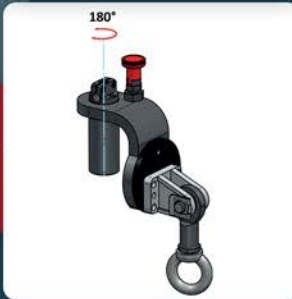
MAGNET TRVM46



MAGNET TRVM70



SG



GRIPPER 1



GRIPPER 2



VACUUM 2



VACUUM 4



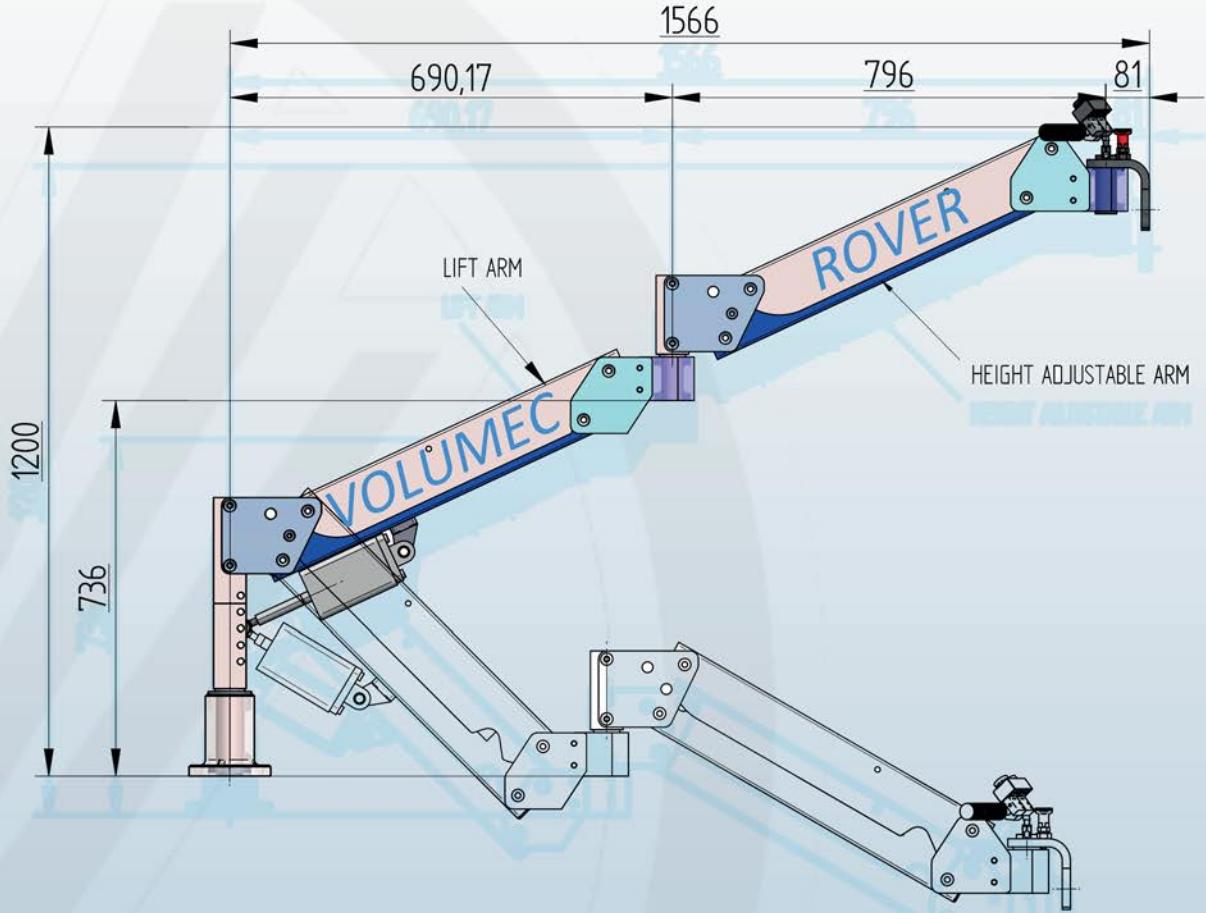
MAGNET 2M46



CUSTOM



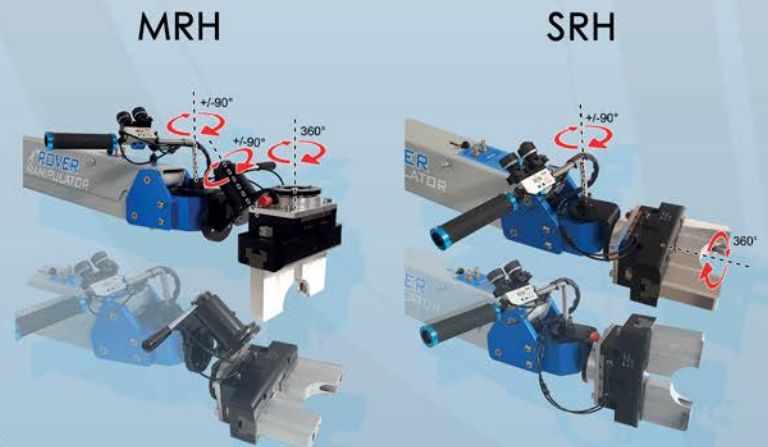
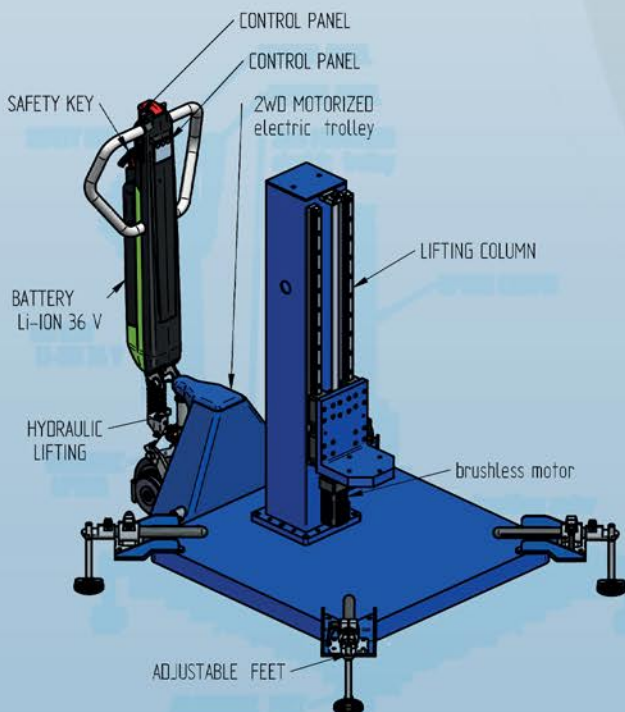
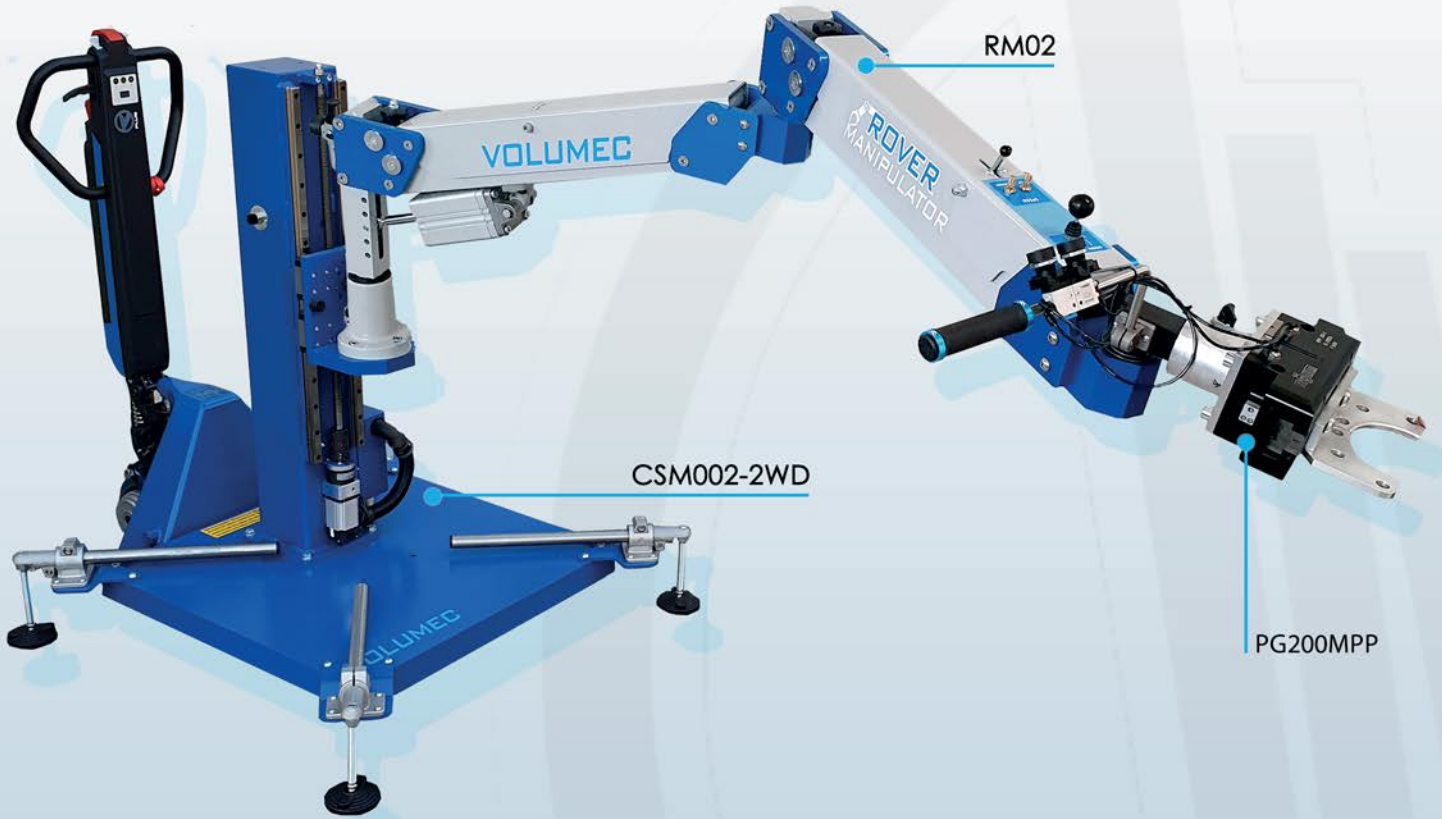
WORKING AREA



TECHNICAL DATA

LIFTING	From 1 to 50 Kg (2,2 - 110 lb)
WORKRAY	1685 mm (66,3 in) + HEAD
VERTICAL STROKE	736 mm (+500 Regulation) - 29 in (+20 Regulation)
GRIPPING SYSTEMS	Pneumatic Magnet, Vacuum or Pneumatic Gripper
WEIGHT	40 Kg (88,2 lb)
PRESSURE	6-8 bar
SPEED REGULATION	Outward and return
OPERATING TEMPERATURE	10°-45° C
ROTATION	X1=360° / X2=180° / X3=180° / X4 =180°

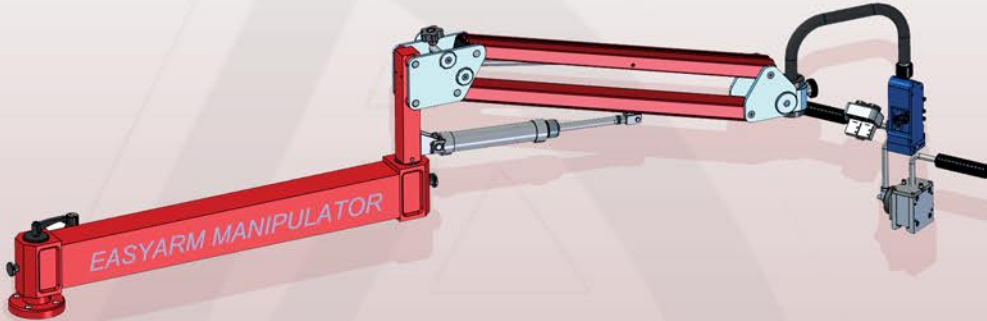
EXAMPLES



EASYARM MANIPULATOR

EASYARM MANIPULATOR is a pneumatic articulated arm system able to lift up until 30 Kg of weight (66 lb).

The head is equipped with the lifting control and the gripping system which can be magnetic / vacuum or hook



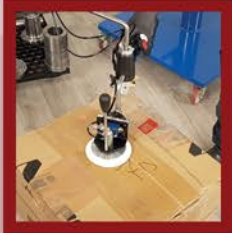
CYLINDRICAL PARTS



PLASTIC-GLASS PARTS
NO METALLIC PARTS



BOXES
CONTAINERS



FLAT PARTS



RING



VACUUM



MAGNET



CUSTOM

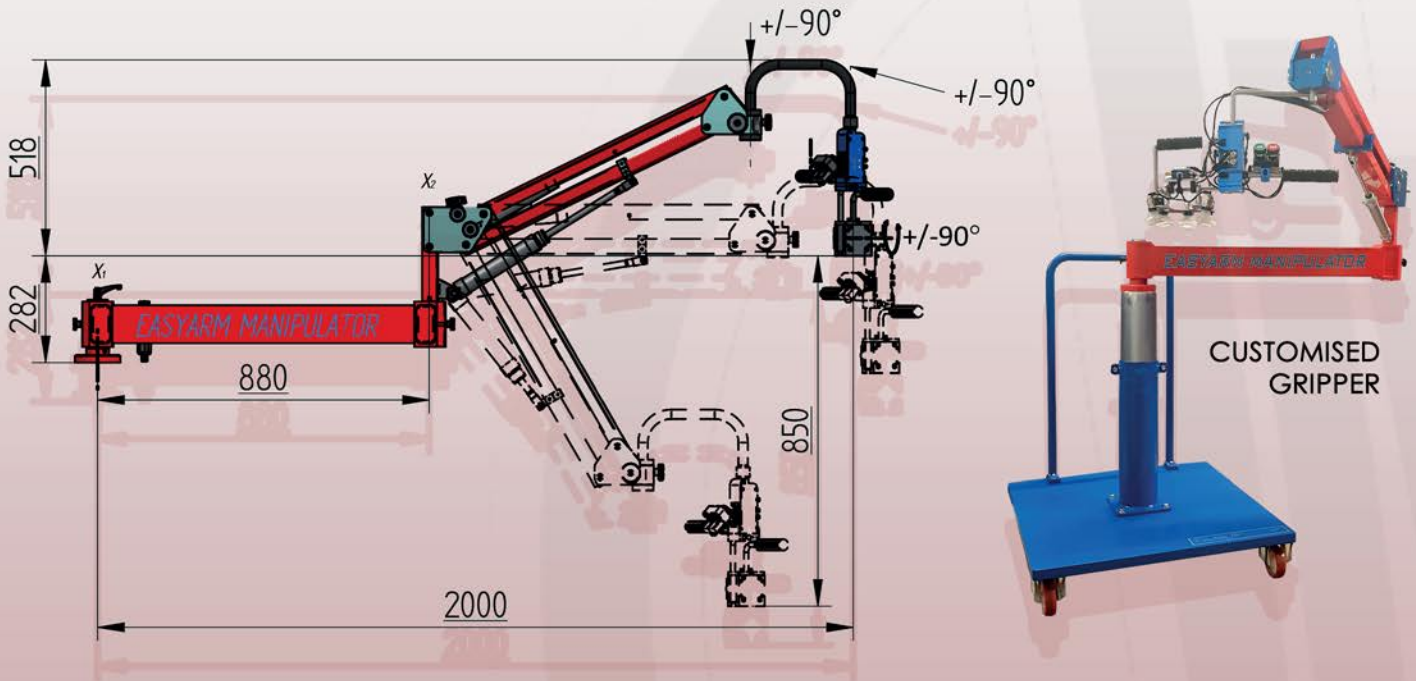


EXAMPLE: EAM02-CUSTOM



**EASYARM
MANIPULATOR**

WORKING AREA



**EASYARM
MANIPULATOR**

TECHNICAL DATA

CODE	EAM2-00	EAM2-01	EAM2-02	EAM2-012
GRIPPING SYSTEM	RING	VACUUM	PNEUMATIC MAGNET	PNEUMATIC MAGNET + VACUUM
PRESSURE	6-8 Bar	6-8 Bar	5-8 Bar	5-8 / 6-8 Bar
GRIPPING CAPACITY ON STEEL FLAT PIECE	/	1-25 Kg (2,2 - 55 lb)	1-46 Kg (2,2 - 101 lb)	1-46 kg (2,2 - 101 lb)
GRIPPING CAPACITY ON STEEL ROUND PIECE	/	NO	1-30 Kg (2,2 - 66 lb)	1-30 kg (2,2 - 66 lb)
PLASTIC/GLASS/BOX ALUMI-NUM/STAINLESS STEEL /ETC	/	1-25 Kg (2,2 - 55 lb)	No	No
WORKING AREA MIN-MAX	100-1950 mm (4 - 76,8 in)	100-1950 mm (4 - 76,8 in)	100-1950 mm (4 - 76,8 in)	100-1950 mm (4 - 76,8 in)
LIFTING WEIGHT	1-30 Kg (2,2 - 66 lb)	1-28 Kg (2,2 - 62 lb)	1-28 Kg (2,2 - 62 lb)	1-28 Kg (2,2 - 62 lb)



CSM001: BASEMENT WITH FIXED COLUMN 800X800 mm
Total height H= 500 mm.
Weight : 350 Kg (772 lb).

CSM001-2WD: TROLLEY WITH FIXED COLUMN 800X800 mm
Electric motorized trolley.
Total height H=500 mm.
Total weight 430 kg (948 lb).



CSM002: BASEMENT FOR MANIPULATOR WITH ADJUSTABLE LIFTING COLUMN
Column H= 1060 mm and stroke 600mm.
Handling through brushless motor 400W – 220 V.
Piloting by electronic accelerator and up and down buttons.
Weight : 400 Kg (882 lb)



CSM002-2WD: TROLLEY WITH ADJUSTABLE LIFTING COLUMN.
Electric motorized trolley.
Column H= 1060 mm and stroke 600mm.
Handling through brushless motor 400W – 220 V.
Piloting by electronic accelerator and up and down buttons.
Total weight 480 kg (1058 lb).



CM600/CM1000: ADJUSTABLE LIFTING COLUMN
Column H=1060/1460 mm and stroke 600/1000 mm.
Handling through brushless motor 400W – 220 V.
Arranged for floor fixing.



TDR2000-TDR4000: FLOOR RAIL
Length from 2000 to 4000 mm with manual movement (motorized optional).

**EASYARM
MANIPULATOR**

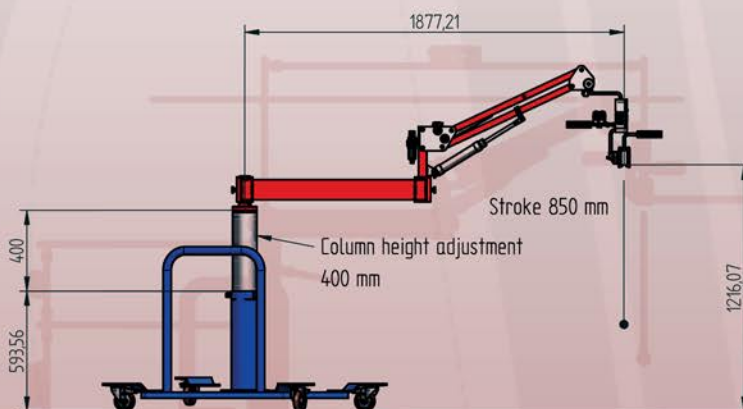
ACCESSORIES



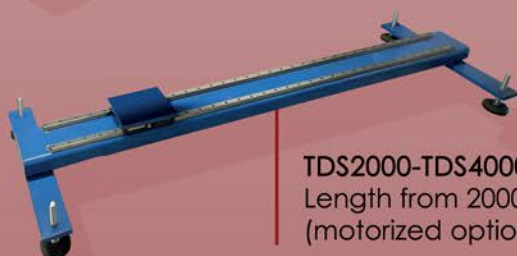
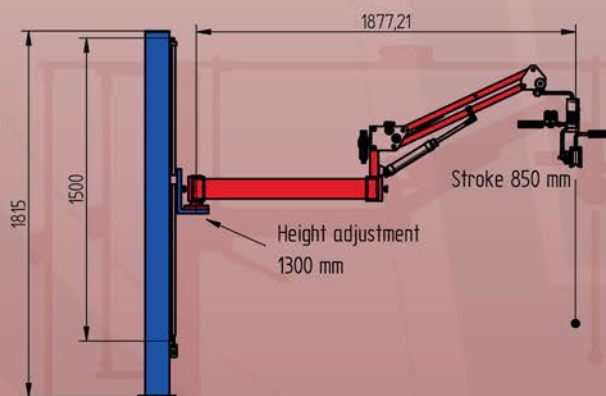
CCM001-EAM: TROLLEY WITH LIFTING COLUMN 800X800X30 mm
Lifting column H=2000 mm with 4 turning wheels, 2 with brakes.
Piloting by electric or pneumatic screwdriver
Weight 220 Kg(485 lb).



CCF100-EAM: TROLLEY 800X800X30 mm
Column with adjustable height 650mm-1050 mm.
4 turning wheels, 2 with brakes.
Weight: 185 Kg (408 lb).



CCF001: LIFTING COLUMN h=1850 mm
Piloting by electric or pneumatic screwdriver.
Weight 60 kg (132 lb).



TDS2000-TDS4000: FLOOR RAIL
Length from 2000 to 4000 mm with manual movement (motorized optional).

VOLUMEK MANIPULATOR DATA COLLECTION CARD

NAME AND SURNAME

COMPANY

ADDRESS

REFERENT E-MAIL ADDRESS

PHONE

WEIGHT TO LIFT:

- 1-30 KG
- 1-100 KG

TYPE OF MATERIAL TO HANDLE:

- Magnetically conductive ferrous material
- Aluminium
- Plastic
- Glass
- Stainless steel
- Cardboard
- Other:specify.....

PIECE SHAPE:

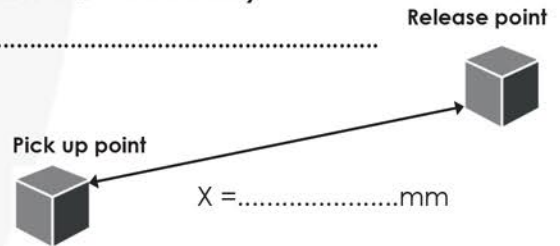
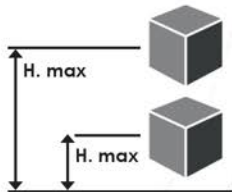
- Plane
- Cylindrical
- Other:specify.....

(Indicate dimensions: x=....., y=....., z=.....)

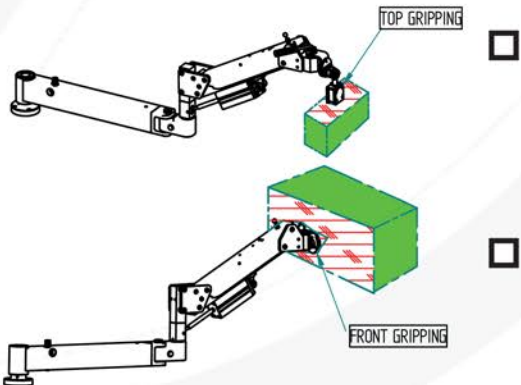
(Indicate dimensions: Ø=....., thickness=.....)
(for tubular profile, internal diameter: Ø=.....)

VERTICAL STROKE REQUESTED:

H. min.....mm
H. max.....mm

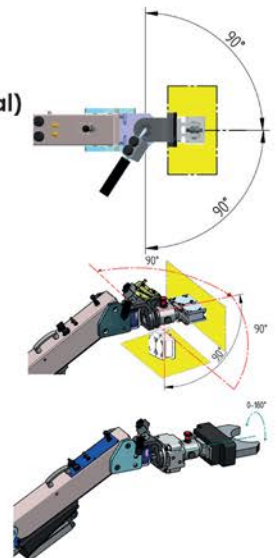


GRIPPING POSITION:



ANGLES ROTATION NEEDED:

- No rotation (only 1 rotation manual)
- Revolving head 0-90°
- Rotating head 0-180°
- Revolving 0-90° + Rotating 0-180° head



DESCRIPTION OF HANDLING OPERATIONS:



Via Del Mercato 5 - 31020

Sernaglia della Battaglia (TV) - ITALY

Phone +39 (0)438 900299 Fax: +39 (0)438 1896510

www.volumeec.com - www.easyarm.it - info@volumeec.it

